

# 2011 Christmas Match in Hayama

14-15 Dec. 2011 ISAF Grade4 JYMA egF=1.5

## Result

### [Entry List]

#### [STAGE 1] Qualifying Round Robin

order	ISAF Ranking	Skipper Name	ISAF ID	Skipper	Eiich.H	Nats.M	Maik.S	Shun.M	Tosh.T	Mari.K	Yuka.N	penalty	pts	place 1-7	
1		Eiichiro Hamazaki 浜崎栄一郎	JPNEH1	Eiich.H	/										
2		Natsuki Motoyoshi 本吉夏樹	JPNNM2	Nats.M											
3		Maiko Sato 佐藤麻衣子	JPNMS2	Maik.S											
4		Shunsuke Murakoshi 村越俊介	JPNSM7	Shun.M											
5		Toshio Toya 戸谷壽男	JPNTT2	Tosh.T											
6		Maria Kami 紙麻里亜	JPNMK14	Mari.K											
7		Yuka Nagahori 長堀友香	JPNYN2	Yuka.N											

#### [Final Result]

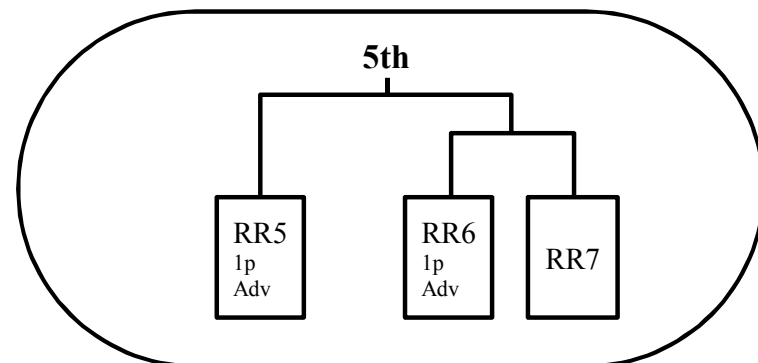
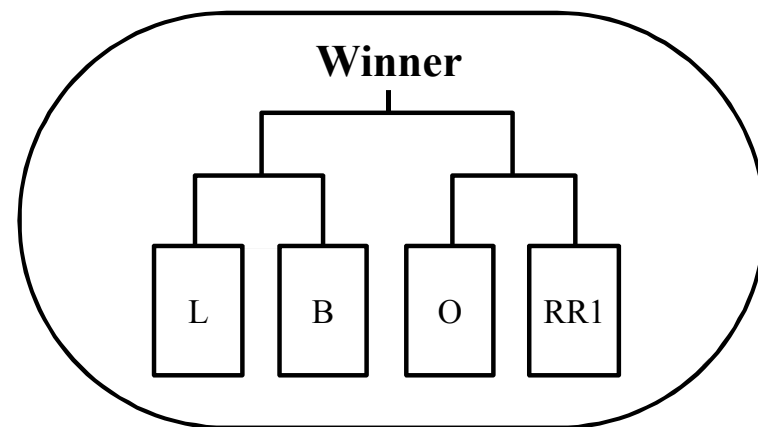
place	skipper	ISAF ID
<b>1st</b>		
<b>2nd</b>		
<b>3rd</b>		
<b>4th</b>		
<b>5th</b>		
<b>6th</b>		
<b>7th</b>		

#### [STAGE 3] Semi Final

Consolation Final 6-7		0	1	2	W/L
RR6		○			
RR7		×			
Semi Final 1		1	2	3	W/L
RR1	the winner of the Round Robin				
O	Opponent chosen by RR1				
Semi Final 2		1	2	3	W/L
B	the Better of the two other boats				
L	the Last remaining boat				

#### [STAGE 4] Final - Petit Final

Consolation Final 5		0	1	2	W/L
RR5		○			
Wcf67		×			
Petit Final		1	2	3	W/L
Lsf1					
Lsf2					
Final		1	2	3	W/L
Wsf1					
Wsf2					



# 2011 Christmas Match in Hayama

## Pairing List

14-15 Dec. 2011 ISAF Grade4 JYMA egF=1.5

### [STAGE 1] Qualifying Round Robin

	no. 1 flight	no. 2 flight	no. 3 flight	no. 4 flight	no. 5 flight	no. 6 flight	no. 7 flight
no.1 match	<u>Nats.M</u> — Yuka.N	Tosh.T — <u>Maik.S</u>	Yuka.N — <u>Shun.M</u>	Eiich.H — <u>Tosh.T</u>	Yuka.N — <u>Mari.K</u>	<u>Yuka.N</u> — Tosh.T	Mari.K — Tosh.T
no.2 match	Mari.K — Maik.S	Shun.M — Mari.K	Eiich.H — Mari.K	Mari.K — Nats.M	Maik.S — Nats.M	Nats.M — Shun.M	Shun.M — Maik.S
no.3 match	Tosh.T — Shun.M	Eiich.H — Yuka.N	Tosh.T — Nats.M	Maik.S — Yuka.N	Shun.M — Eiich.H	Maik.S — Eiich.H	Nats.M — Eiich.H
Bye	Eiich.H → Nats.M	Nats.M → Maik.S	Maik.S → Shun.M	Shun.M → Tosh.T	Tosh.T → Mari.K	Mari.K → Yuka.N	Yuka.N

### [STAGE 2] Semi Final

### [STAGE 3] Final - PetitFinal

	no. 8 flight	no. 9 flight	no. 10 flight	no. 11 flight	no. 12 flight	no. 13 flight
no.1 match	<u>RR6</u> — <u>RR7</u>	RR7 — RR6	/	<u>RR5</u> — <u>Wcf67</u>	Wcf67 — RR5	/
no.2 match	<u>O</u> — <u>RR1</u>	RR1 — O	O — RR1	<u>Lsf2</u> — <u>Lsf1</u>	Lsf1 — Lsf2	Lsf2 — Lsf1
no.3 match	<u>L</u> — <u>B</u>	B — L	L — B	<u>Wsf2</u> — <u>Wsf1</u>	Wsf1 — Wsf2	Wsf2 — Wsf1
Bye	RR5	RR5	RR5			